

HB KNIFE GATE VALVE

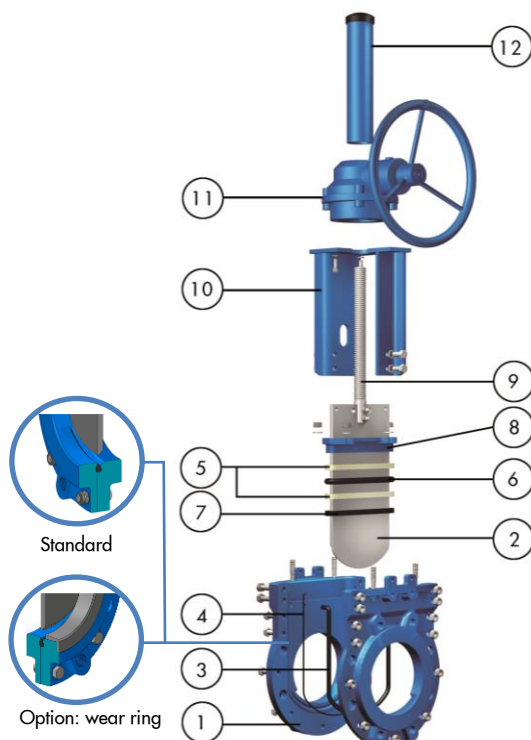
The HB model knife gate is a bi-directional valve designed for general industrial service applications. The design of the body and seat assures non-clogging shut off on suspended solids in industries such as Wastewater Treatment Plants, Food & Beverage, Chemical Plants, etc.

Product description:

- Bi-directional wafer type high pressure knife gate valve.
- Size range of DN 80-600 (larger sizes on request). 16/20 bar pressure rating.
- Rising stem as standard. Non-rising stem also available
- Standard flange connection: EN 1092 PN 16 and ASME B16.5 (class 150).
Others available on request
- Manual (handwheel, chainwheel and bevel gear), pneumatic (single and double-acting), electric and hydraulic actuation options available
- For EU Directives and other Certificates, please see the document: Directives and Certificates Compliance - Knife Gate Valves - Catalogues and Datasheets

Features:

- Split body cast design with special seal housing machined for a perfect adjustment of the body with the gate and the seal, resulting in low operation torque, optimum tightness and avoiding any build-up
- Full port design for greater flow capacity and minimal pressure drop
- Suitable for dead-end service to the full rating
- Stainless steel gate polished both sides to avoid jamming and seat damage
- Standard NBR seat
- New packing system. Wide range packing materials available
- RAL-5015 blue epoxy-coating on all cast iron/carbon steel components
- Automated valves provided with gate guards in accordance with EU Safety Standards
- Actuation accessories: limit & proximity switches, mechanical stops, positioners, solenoid valves, manual overrides, locking devices, fail safe systems, stem extensions and floor stands

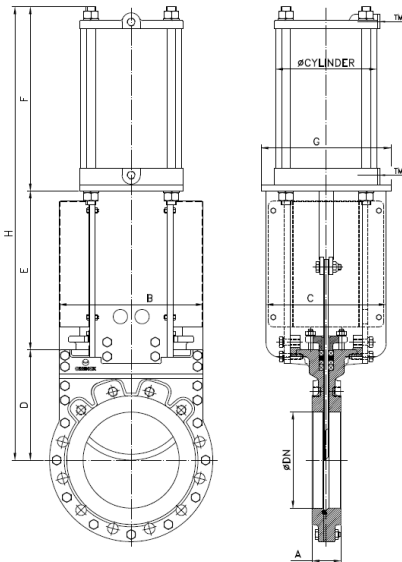
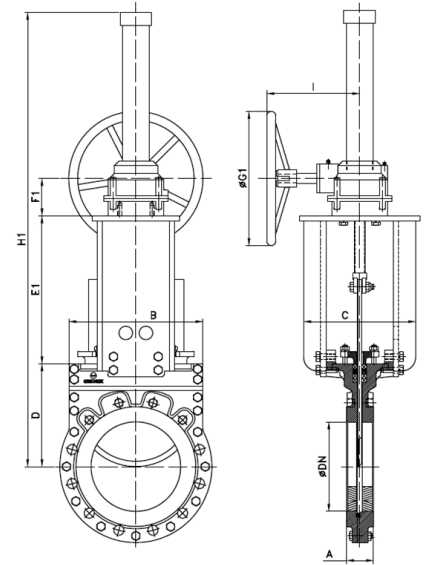


STANDARD PARTS LIST

Part:	Materials:
1 Body	GJL400
2 Gate	AISI 304
3 Seat Round Cord	NBR
4 Body Round Cord	NBR
5 Packing	PTFE impreg. synth. Fibre
6 Packing Round Cord	NBR
7 Packing Resilient	NBR
8 Gland Follower	A216 WCB
9 Stem	Stainless steel
10 Yoke	Carbon steel - Epoxy coated
11 Bevel Gear	-
12 Stem Protector	Carbon steel - Epoxy coated

DIMENSIONS (mm) Gear Rising Stem

DN	Pressure	A	B	C	D	E1	F1	H1	ØG1	I
150	16/20 bar	56	250	164	188	240	45	930	300	263
200	16/20 bar	60	300	250	230	337	45	930	300	263
250	16/20 bar	68	360	270	270	370	45	1030	300	263
300	16/20 bar	78	425	270	305	426	45	1100	300	263
350	16/20 bar	78	485	290	388	482	45	1190	450	263
400	16/20 bar	102	535	290	415	565	84	1720	450	263
450	16/20 bar	114	585	360	450	604	84	1820	450	263
500	16/20 bar	127	635	380	490	668	84	1900	450	263
600	16/20 bar	154	747	380	585	796	102	2315	650	263



DIMENSIONS (mm) Pneumatic Actuator (D/A)

DN	Pressure	A	B	C	D	E	F	G	H	Standard Cyl 16 bar	Connect.	Standard Cyl 20 bar	Connect.
80	16/20 bar	46	155	125	125	160	220	110	505	C100	1/4"G	C100	1/4"G
100	16/20 bar	52	180	125	140	190	230	110	560	C100	1/4"G	C100	1/4"G
150	16/20 bar	56	250	164	188	392	305	175	885	C160	1/4"G	C160	1/4"G
200	16/20 bar	60	300	250	230	398	377	250	1005	C200	3/8"G	C200	3/8"G
250	16/20 bar	68	360	270	270	480	456	270	1206	C200	3/8"G	C250	3/8"G
300	16/20 bar	78	425	270	305	530	505	290	1340	C250	3/8"G	C250	3/8"G
350	16/20 bar	78	485	290	388	615	632	385	1635	C300	1/2"G	C300	1/2"G
400	16/20 bar	102	535	290	415	680	664	444	1759	C300	1/2"G	C350	3/4"G
450	16/20 bar	114	585	360	450	630	770	515	1850	C350	3/4"G	C400	3/4"G
500	16/20 bar	127	635	380	490	700	830	515	2020	C400	3/4"G	C400	3/4"G

DIMENSIONS (mm) Electric Actuator Rising Stem

DN	Pressure	A	B	C	D	E	F	ØG	H	K	J	L	M
80	16/20 bar	46	155	125	125	160	415	160	970	265	249	62	238
100	16/20 bar	52	180	125	140	190	460	160	1015	265	249	62	238
150	16/20 bar	56	250	164	188	392	609	160	1165	265	249	62	238
200	16/20 bar	60	300	250	230	398	722	200	1285	282	254	65	248
250	16/20 bar	68	360	270	270	480	770	200	1360	282	254	65	248
300	16/20 bar	78	425	270	305	530	860	200	1450	282	254	65	248
350	16/20 bar	78	485	290	388	615	1045	315	1650	385	336	91	286
400	16/20 bar	102	535	290	415	680	1152	315	1755	385	336	91	286
450	16/20 bar	114	585	360	450	630	1228	315	1930	385	336	91	286
500	16/20 bar	127	635	380	490	700	1314	400	2415	385	336	91	286
600	16/20 bar	154	747	380	585	840	1540	400	2645	385	336	91	286

